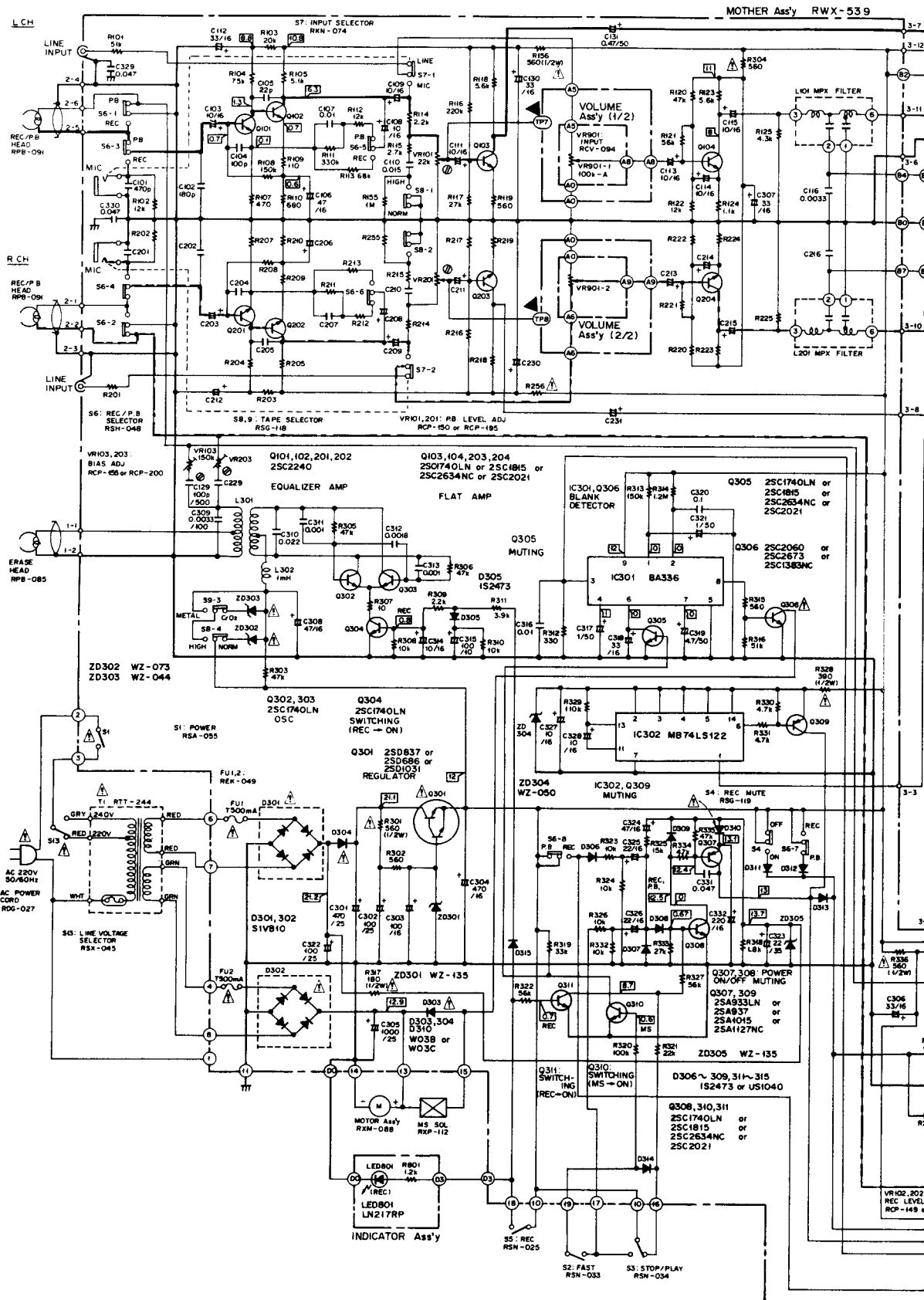
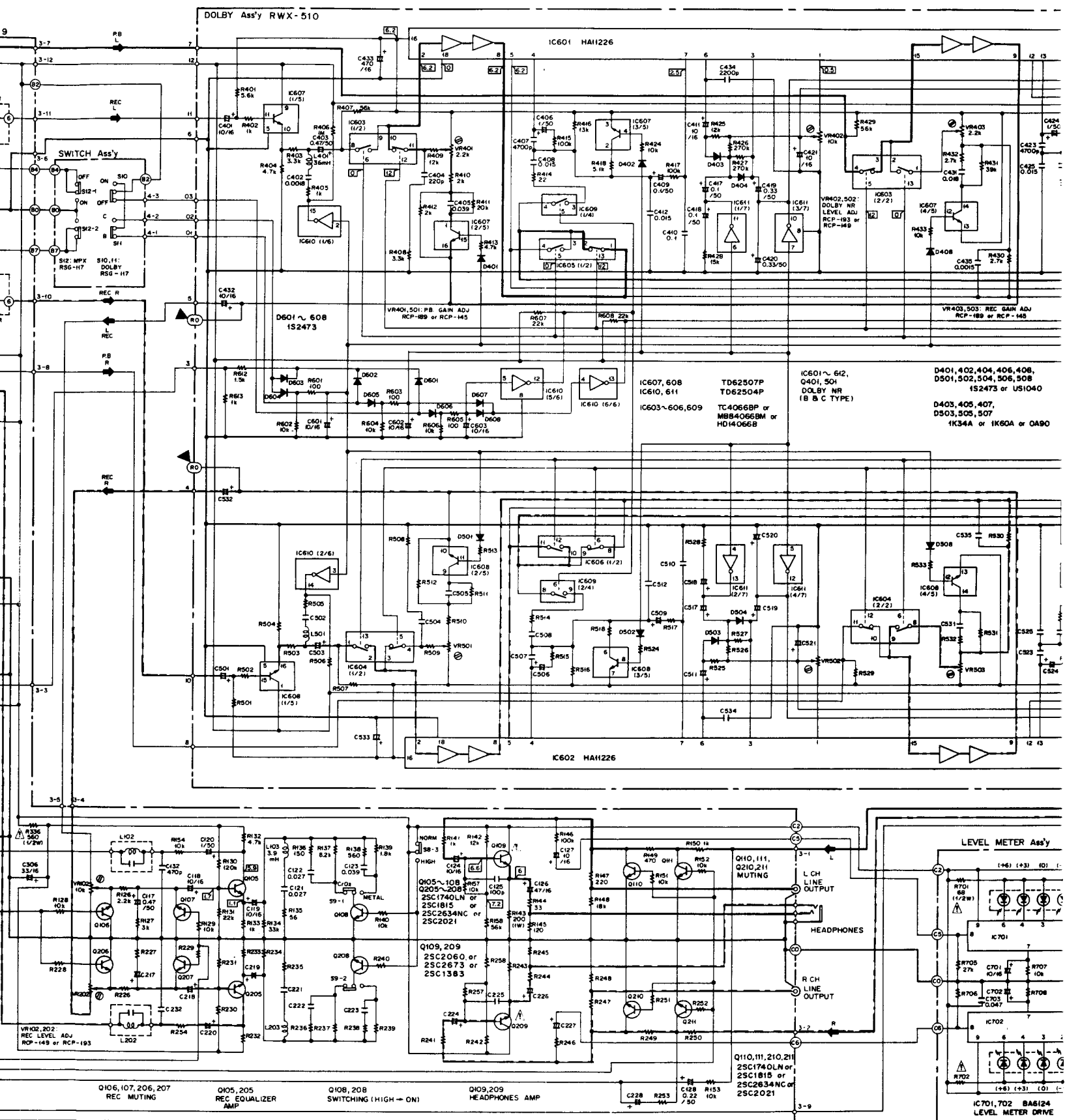


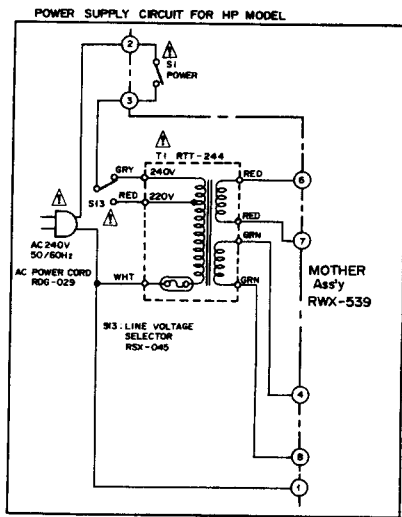
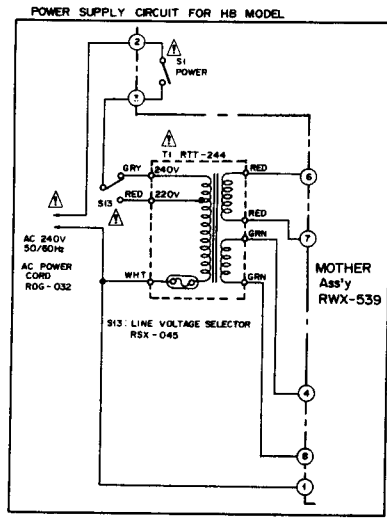
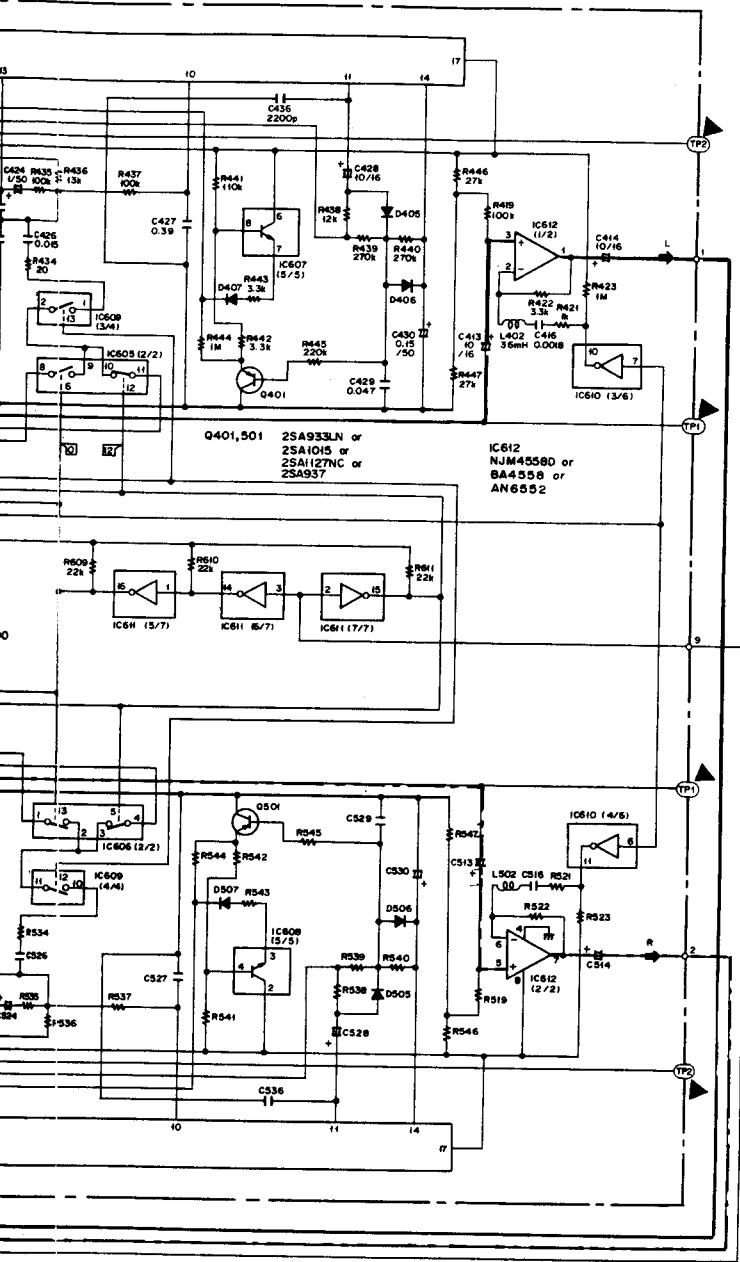
3. SCHEMATIC DIAGRAM





NOTE:

The indicated semiconductors are representative ones only. Other alternative semiconductors may be used and are listed in the parts list.

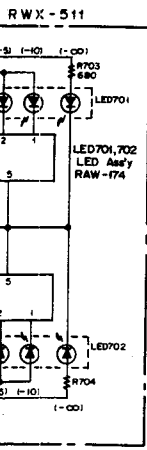


A

B

C

D



1. RESISTORS:

Indicated in $\frac{1}{2}$, $\frac{1}{4}$, $\frac{1}{10}$ W. -5% tolerance unless otherwise noted k: k Ω , M: M Ω , (F): 1%, (G): 2%, (K): 10%, (M): 20% tolerance

2. CAPACITORS:

Indicated in capacity (μ F)/voltage (V) unless otherwise noted p: pF. Indication without voltage is 50V except electrolytic capacitor

3. VOLTAGE

DC voltage (V) at no input signal

4. OTHERS

Signal route

Adjusting point

The Δ mark found on some component parts indicates the importance of the safety factor of the part. Therefore, when replacing, be sure to use parts of identical designation.

This is the basic schematic diagram, but the actual circuit may vary due to improvements in design.

SWITCHES:

- S1: POWER QEE - ON
- S2: FAST QEE - ON
- S3: STOP/PLAY STOP - PLAY
- S4: REC MUTE QEE - ON
- S5: REC QEE - ON
- S6: REC/PLAYBACK SELECTOR PLAYBACK - REC
- S7: INPUT SELECTOR LINE - MIC
- S8: TAPE SELECTOR NORM - HIGH
- S9: TAPE SELECTOR CrD2 - METAL
- S10: DOLBY NR OFF - ON
- S11: DOLBY NR TYPE B - TYPE C
- S12: MPX FILTER OFF - ON
- S13: LINE VOLTAGE SELECTOR AC220V - AC240V

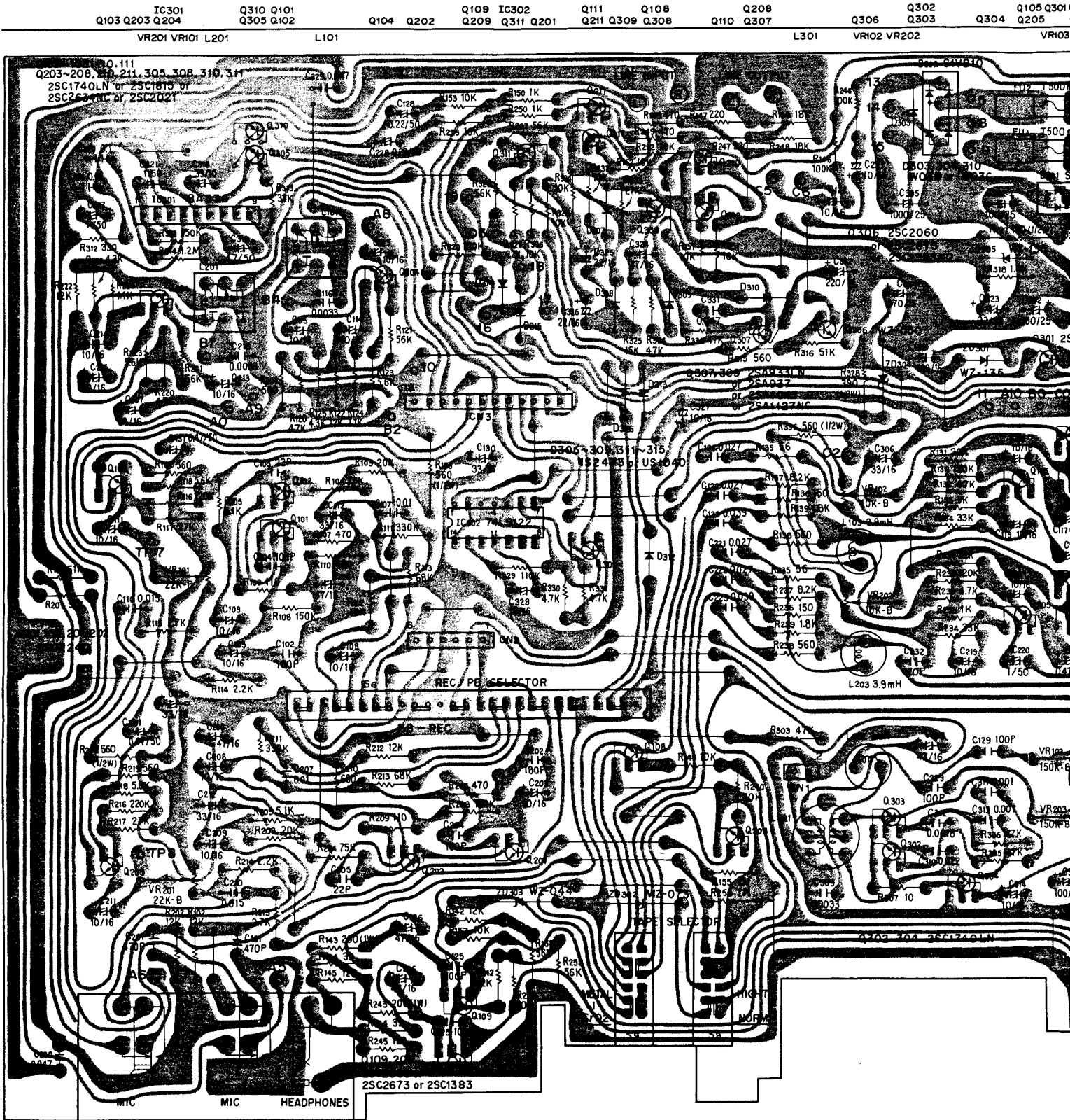
The underlined indicates the switch position.

NOTE;

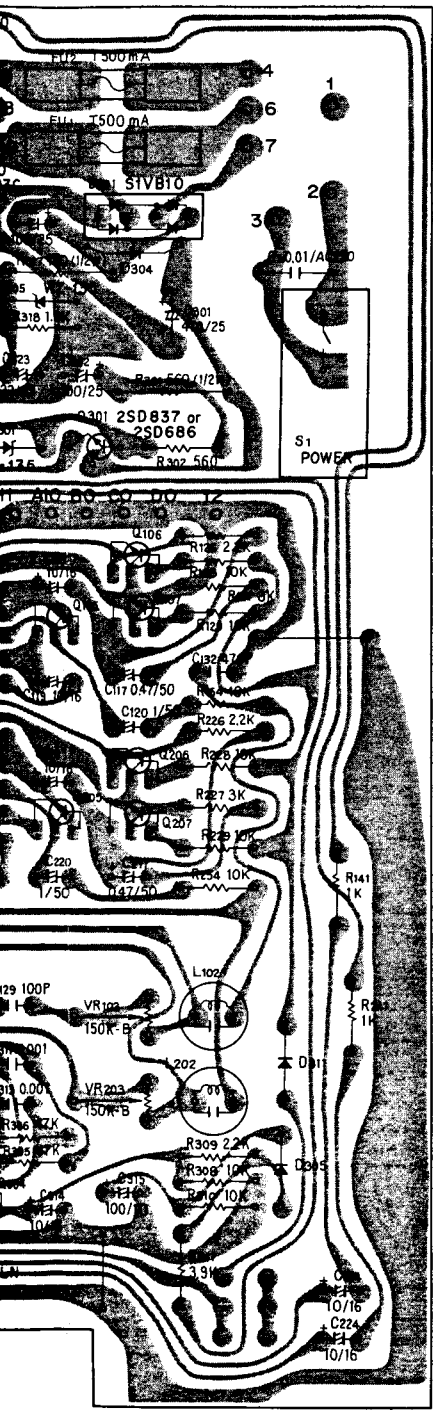
Playback signal route

Recording signal route

4. MOTHER ASSEMBLY (RWX-539)



Q105 Q301 Q106 Q107
 Q205 Q206 Q207
 VR103 VR203 L102 L202

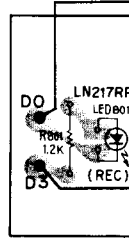


7. P.C. BOARD

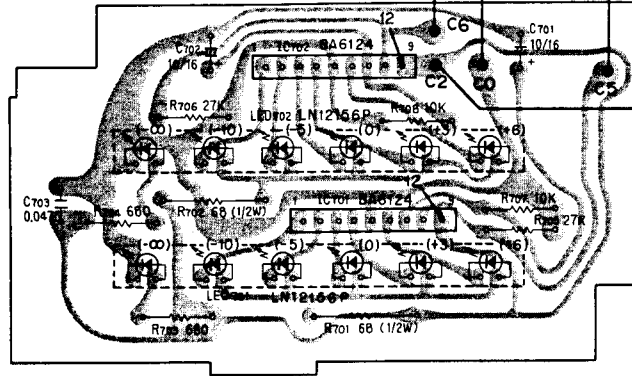
CONNECTION DIAGRAM

A

INDICATOR Ass'y



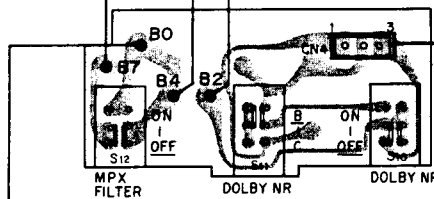
LEVEL METER Ass'y



B

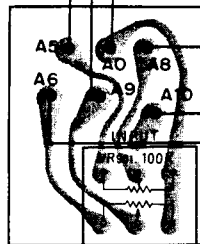
C

SWITCH Ass'y



D

VOLUME Ass'y



MOTHER Ass'y

